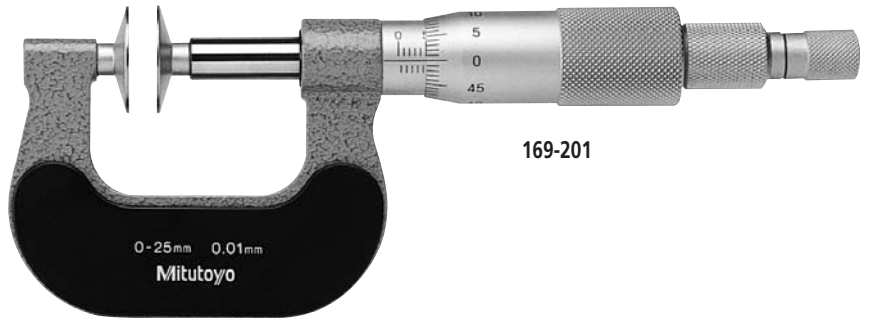


Disk Micrometers

SERIES 369, 169 — Non-Rotating Spindle Type



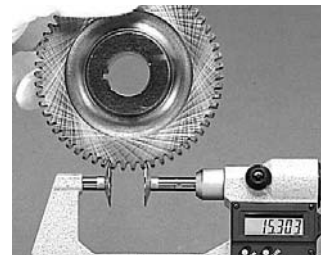
369-511-30



169-201

FEATURES

- Non-rotating spindle eliminates torque on workpiece.
- Diameter of measuring disk: 20mm (.79")
- With Ratchet Stop for constant force.
- Provided with a standard except for 25mm (1") model.
- The 369 series (LCD readout type) is provided with SPC output.



SPECIFICATIONS

Metric	Digital model	Range	Order No.	Resolution	Accuracy
		0 - 25mm	369-511-30	0.001mm	±4µm
		25 - 50mm	369-512-30	0.001mm	±4µm
		50 - 75mm	369-513-30	0.001mm	±6µm
		75 - 100mm	369-514-30	0.001mm	±6µm

Excluding quantizing error

Measuring faces

- Flatness: 1µm (.00004")
- Parallelism: 4µm (.00016") for models up to 50mm (2")
6µm (.00024") for models over 50mm (2")

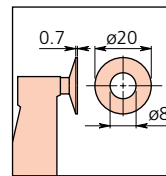
Inch/Metric	Digital model	Range	Order No.	Resolution	Accuracy
		0 - 1"	369-711-30	.00005"/0.001mm	±.0002"
		1" - 2"	369-712-30	.00005"/0.001mm	±.0002"
		2" - 3"	369-713-30	.00005"/0.001mm	±.0003"
		3" - 4"	369-714-30	.00005"/0.001mm	±.0003"

Excluding quantizing error

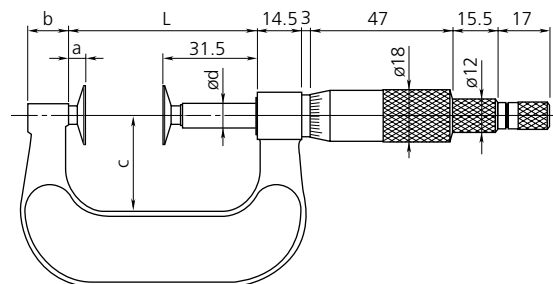
Metric	Range	Order No.	Graduation	Accuracy
	0 - 25mm	169-201	0.01mm	±4µm
	25 - 50mm	169-202	0.01mm	±4µm
	50 - 75mm	169-205	0.01mm	±6µm
	75 - 100mm	169-207	0.01mm	±6µm

Inch	Range	Order No.	Graduation	Accuracy
	0 - 1"	169-203	.001"	±.0002"
	1" - 2"	169-204	.001"	±.0002"
	2" - 3"	169-206	.001"	±.0003"
	3" - 4"	169-208	.001"	±.0003"

Dimensions



Unit: mm



Range	L	a	b	c	d
0 - 25mm	37.5	6	13.5	25	8
25 - 50mm	62.5	6	13.5	32	8
50 - 75mm	87	5.5	13	49.5	8
75 - 100mm	112	5.5	13	63.5	8

