

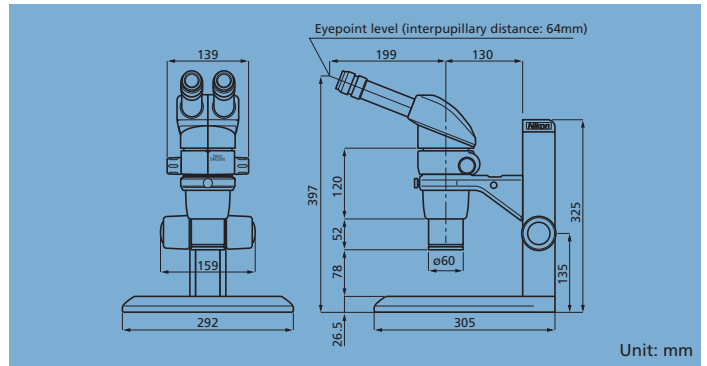
SMZ800

Specifications

| | |
|-------------------------------------|--|
| Optical system | Parallel-optics zoom system |
| Total magnification | 5–378x (Depending on eyepiece and objective used.), 7.5–425x (When coaxial episcopic illuminator is attached.) |
| Eyepiece inclination | 20° (Standard Binocular and Low Eye-level Binocular), 0°–30° (Tilting Binocular) |
| Interpupillary distance adjustment | 48–75mm |
| Eyepieces (with diopter adjustment) | C-W10xA (F.N. 22), C-W15x (F.N. 16), C-W20x (F.N. 12.5), C-W30x (F.N. 7) |
| Zoom range | 1–6.30x |
| Zoom ratio | 6.3 : 1 |
| Objectives | P-Plan Apo 0.5x, 1x, P-ED Plan 1.5x, 2x, P-Plan 1x, P-Achro 0.5x, P-ERGO Plan 1x ERGO |

For possible combinations of accessories, please refer to the system diagram.

Dimensions (SMZ800-1)



System diagram

