

# 11 Stand

Stands which can make precision measurement of work piece by mounting Dial indicator or Digital indicator.

These are stands which can make precision measurement of work piece by mounting Dial Indicator or Digital Indicator. As to natural granite (micro-granite) base, its organization is fine particle and work piece slides smoothly without ringing. Stable and high flatness accuracy within 0.001mm / 200mm square is also characteristics. Please select referring to size of base or fine adjustment device from various lineup.



It is measured a work piece by mounting dial indicator on a stand.



Granite Comparator Stand ----- 132-133  
Upright Stand ----- 133

Holder Stand for Thickness Gauge ----- 134  
Magnetic Base ----- 134

# Granite Comparator Stand



- Natural micro-granite is used for all granite comparator stands.
- Flatness accuracy : within 0.001mm / 200mm square.
- Sliding smoothly and objects to be measured are not damaged. It is superior for anti-abrasion.
- The rigid granite base is free from burrs and pileups.
- It is easy for maintenance as base never suffers from rust.


**USG-10**

•Base size  
100x150x50 mm


**USG-24**

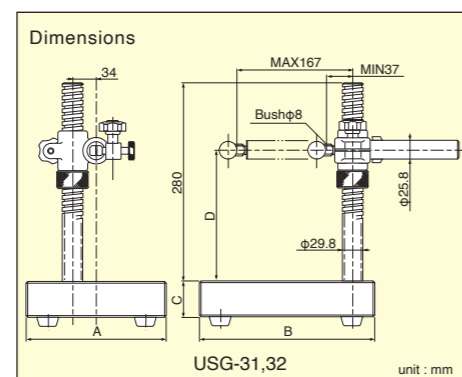
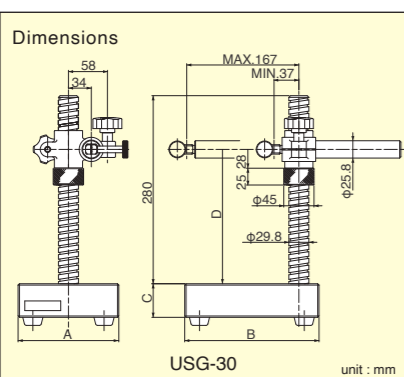
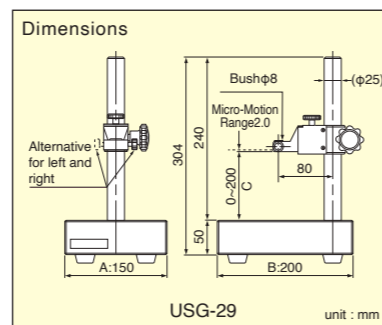
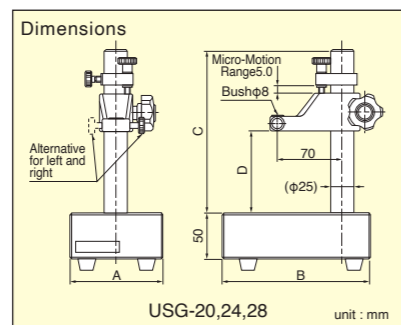
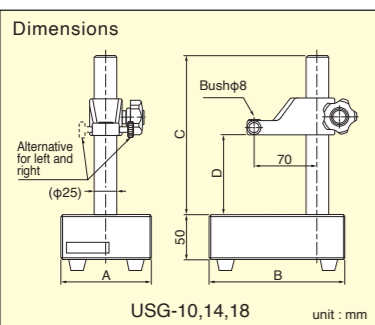
•Base size  
150x150x50 mm


**USG-29**

•Base size  
150x200x50 mm


**USG-30**

•Base size  
150x200x50 mm



## Specifications

Model	Type	Base size(AxB)(mm)	Height of Column(C)(mm)	Movable Range(D)(mm)	Weight (kg)	Suggested List Price
USG-10	Standard	100x150	175	0~130	3.5	44,330 JPY
USG-14	Standard	150x150	175	0~130	4.9	47,410 JPY
USG-18	Standard	150x200	240	0~200	5.8	50,380 JPY
USG-20	Fine Adjustment	100x150	175	0~115	3.5	51,040 JPY
USG-24	Fine Adjustment	150x150	175	0~115	4.9	54,450 JPY
USG-28	Fine Adjustment	150x200	240	0~180	5.8	57,970 JPY
USG-29	Precision Fine Adjustment	150x200	240	0~200	6.0	69,630 JPY

Model	Type	Base size(AxBxC)(mm)	Movable Range (D)(mm)	Bush φE (mm)	Weight (kg)	Suggested List Price
USG-30	Square Screw, Arm Slide	150x200x50	53~250	φ8	7.3	87,230 JPY
USG-31	Square Screw, Arm Slide	200x250x50	53~250	φ8	10.5	91,520 JPY
USG-32	Square Screw, Arm Slide	250x250x50	53~250	φ8	12.5	94,600 JPY

For USG30~32, depending on the measuring device in use, the probe may not contact to the base surface since the effective movable range is 53mm or more. Use an extension rod or the like to extend.  
Other combinations of Base and Column than the above chart are also possible.  
The Base is possible to be made up to 500x500mm according to the requested size.

## Upright Stand

- This can be easily used by only mounting Dial Indicator for comparison measurement.
- This small stand is suitable for measuring small parts etc.

### US-16B

•Specimen table size  
80x80mm  
•Standard Type

•Precision Grinding  
Cast Iron base



### US-22B

•Specimen table size  
80x80mm  
•With fine adjustment device

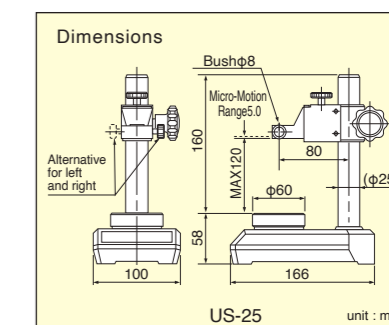
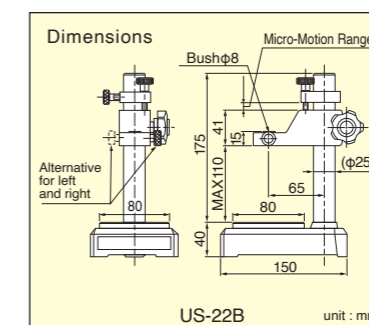
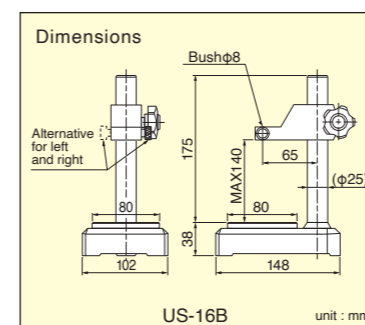
•Precision Grinding  
Cast Iron base



### US-25

•Specimen table size  
φ60mm Ceramic  
•With fine adjustment device

•Precision Grinding  
Cast Iron base



## Specifications

Model	Type	Specimen Table Size(mm)	Movable Range(mm)	Weight(kg)	Suggested List Price
US-16B	Standard Type	80x80	0~140	3.4	27,280 JPY
US-22B	With Micro-Motion Device	80x80	0~110	3.5	33,660 JPY
US-25	Parallel Spring Type Precision Micro-Motion Device	φ60	0~120	3.9	77,880 JPY

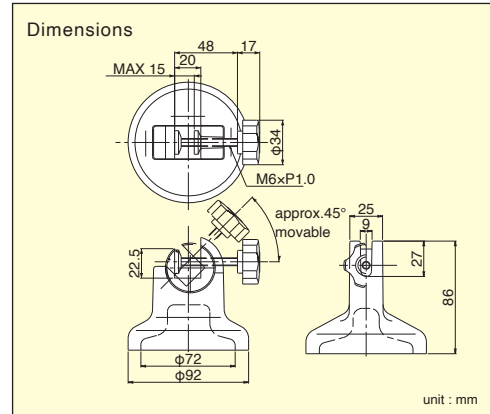


# Holder Stand for Thickness Gauge



**FM-18**

- Clamping angle can be adjusted.
- Thickness Gauge is optional item.



## Specifications

Model	Size (mm)	Weight(g)	Suggested List Price
FM-18	base $\phi 92$ , height 86	850	11,660 JPY

## Magnetic Base

- Magnetic base can hold a measuring device such as dial indicator.
- Adaptor (Internal diameter  $\phi 6\text{mm}$ ) is supplied for holding test indicators on model : MB-1040 and MB-1050.
- MB-1040 / 1050 can also be fixed with dovetail of auto-clutch lever test.
- Dial indicator is mounted to MB-B with lug back and test indicator is clamped with stem (It can not be clamped with dovetail).
- MB-1040 / 1050 can not be clamped with dovetail.



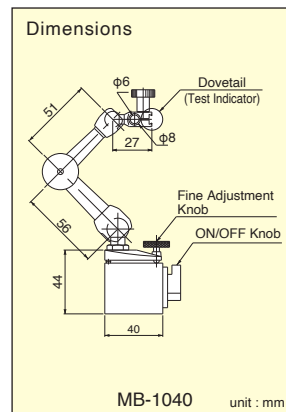
**MB-1040**

**MB-1050**

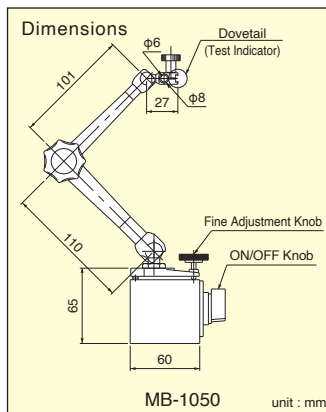
**MB-B**



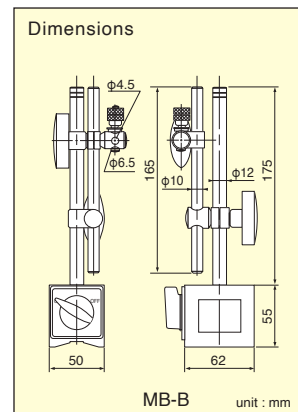
Example  
Magnetic Base with Test  
Indicator. Dial indicator is  
also applied.



**MB-1040** unit : mm



**MB-1050** unit : mm



**MB-B** unit : mm

## Specifications

Model	Type	Holding Power(N)	Mount Hole Diameter(mm)	Weight(kg)	Suggested List Price
MB-1040	One-touch, fine adjustment, small	320	6.0/8.0	0.5	21,560 JPY
MB-1050	One-touch, fine adjustment	800	6.0/8.0	1.4	26,070 JPY
MB-B	Standard	800	6.0/8.0	1.5	7,150 JPY